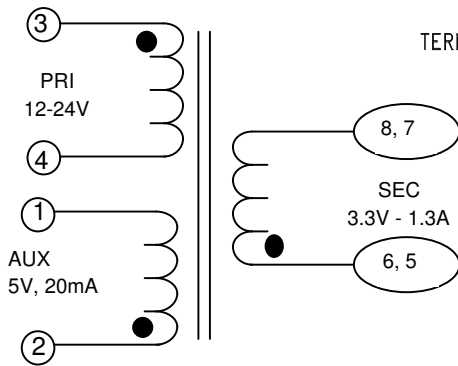
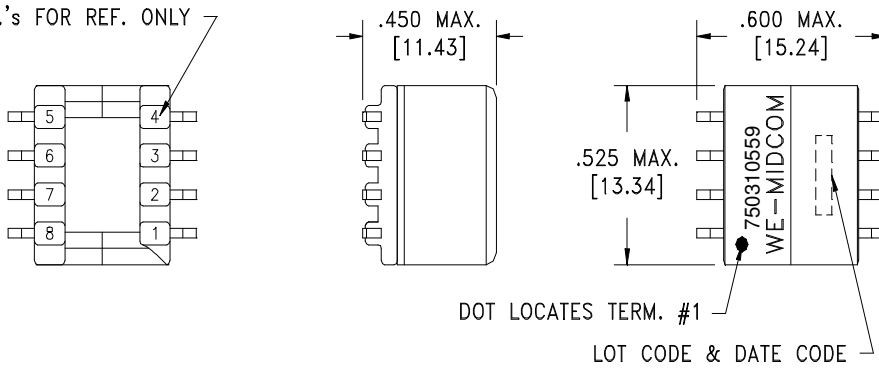


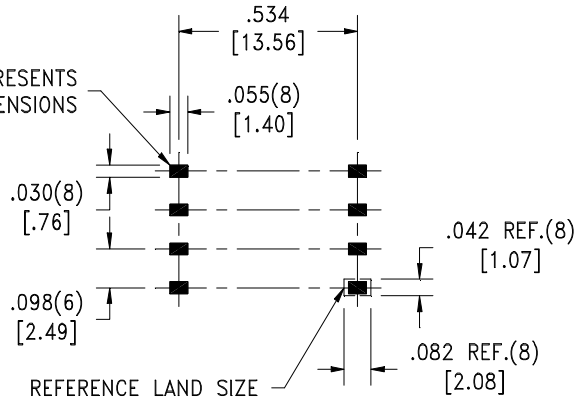
CUSTOMER TERMINAL	RoHS	LEAD(Pb)-FREE
Sn96%, Ag4%	Yes	Yes



TERM. NO.'s FOR REF. ONLY



AREA REPRESENTS TERMINAL PAD DIMENSIONS



CUSTOMER TO DETERMINE LAND LAYOUT

**ELECTRICAL SPECIFICATIONS @ 25°C unless otherwise noted:**

D.C. RESISTANCE (@20°C):	1-2 , 0.064 Ohms ±10%. 3-4 , 0.051 Ohms ±10%. 5-7 , 0.023 Ohms ±10%. 6-8 , 0.032 Ohms ±10%.
DIELECTRIC RATING:	1500VAC, 1 minute tested by applying 1875VAC for 1 second between pins 1-8(2+3,5+6).
INDUCTANCE:	24.0µH ±10%, 10kHz, 100mVAC, 0mADC, 3-4, Ls.
LEAKAGE INDUCTANCE:	500nH max., 100kHz, 100mVAC, 3-4(1+2,5+6+7+8), Ls.
URNS RATIO:	( 3-4 ):( 5-7 ) , ( 4 ):(1.00) , ±2%. ( 3-4 ):( 6-8 ) , ( 4 ):(1.00) , ±2%. ( 3-4 ):( 2-1 ) , ( 4 ):(1.00) , ±2%.

<b>Inc.</b> Watertown, SD USA Toll Free: 800-643-2661 Fax: 605-886-4486	Unless otherwise specified, tolerances are as follows: Angles: ±1°      Fractions: ±1/64 Decimals: ±.005 (.127mm)		<b>WE-Midcom, Inc.</b>	
	Drawing Title <h1>Transformer</h1>		Drawing Number <h2>750310559</h2>	Rev. 01
Revisions: See Sheet 1		Scale ----	Sheet 2 of 5	
Engineer:PLP			07/11/2008	

This drawing is dual dimensioned.  
Dimensions in brackets are in millimeters